



वैज्ञानिक तथा औद्योगिक अनुसंधान परिषद्  
Council of Scientific & Industrial Research  
राष्ट्रीय वांतरिक्ष प्रयोगशालाएं  
National Aerospace Laboratories

## INVITATION FOR TENDERS

No. NAL/PUR/MSD/041/24

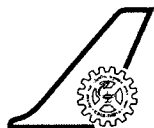
Dated: 05-Jul-2024

CSIR – National Aerospace Laboratories (NAL), Bengaluru, Karnataka, Republic of India, is one of the premier research laboratories under aegis of Council of Scientific and Industrial Research (CSIR), an autonomous body under the Department of Scientific and Industrial Research, Government of India, New Delhi. CSIR-NAL is a Science and Knowledge based Research, Development and Consulting Organization. It is internationally known for its excellence in Scientific Research in Aerospace Engineering.

The Director, CSIR-NAL invites online quotation(s) for the procurement of the following item(s) for day to day research work.

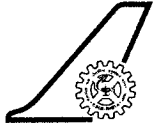
Sl. No	Description of Item(s)	Unit	Quantity
1	<p>Multi Stage CNC Grinding of Cf/SiC Ceramic Matrix Composite Cowl Plate using appropriate diamond tools with necessary CMM reports at every stage as per attached drawings and step file supplied by CSIR-NAL.</p> <p><b>Stage 1:</b> Rough machining by maintaining a stock of 3-4 mm on thickness, width and length.</p> <p><b>Stage2:</b> Semi finish machining by maintaining a stock of 1 mm on thickness, width and length. Slot cutting Radius and Angle to be maintained at this stage.</p> <p><b>Stage3:</b> Final CNC machining/grinding to get the final finish as per drawings. 2 Nos of Cf/SiC CMC blanks will be supplied by CSIR-NAL. The firm should return the machined/ground Cf/SiC blank/semi finished product within 15 days from the date of collecting from CSIR-NAL at every stage. The firm should ensure usage of Distilled/Demineralised water only as coolant for machining. The firm should permit inspection of the vendors facilities and the machining process by Scientists/Engineers from CSIR/NAL and the sponsors.</p>	Nos	02

Single /Double Bid	Single	Tender Type	OPEN Tender
Bid Security (EMD) (in INR)	Bid Security Declaration should be enclosed with the quotation	Bid submission end date	01-08-2024 10.00 Hrs
Performance Security	Nil	Bid opening date	02-08-2024 11.00 Hrs



## CSIR-National Aerospace Laboratories, Bengaluru-560 017, INDIA

1. Tender document(s) may be downloaded from the Central Public Procurement Portal i.e., <https://www.etenders.gov.in>. Aspiring Bidders' who have not registered in the portal can do the same at free of cost before participating in our tendering process. Bidders are advised to go through instructions provided at 'Instructions for Online Bid Submission', in the portal.
  2. Tenderer's can access tender document(s) on the website (for searching in the NIC site <https://www.etenders.gov.in>, kindly go to "Tender Search", option, select tender type and select 'Council of Scientific and Industrial Research', in organization tab and select NAL-Bengaluru-CSIR in department type. Thereafter, click on "Search", button to view all CSIR-NAL, Bengaluru tenders). Select the appropriate tender and fill them with all relevant information and submit the completed tender document online in the website as per the schedule given in the next page.
  3. a. Global Tender Enquiry: Either the Indian Agent on behalf of the Foreign Principal or the Foreign Principal can bid directly in a tender but *not* both. However, the offer of the Indian Agent should also accompany the authorization letter from their principal. To maintain sanctity of tendering system, one Indian Agent *cannot* represent *two* different Foreign Principals in *one* tender.  
b. Open Tender Enquiry: Only Local Suppliers with prescribed local content as detailed in Department for Promotion of Industry and Internal Trade (DPIIT) Order No. P-45021/2/2017-PP (BE-II), dated 16<sup>th</sup> Sep, 2020, and subsequent orders issued by the Ministry of Finance, Government of India from time to time, are eligible for bidding. Bidders' must enclose the certificate declaring their local content of supplies as per our standard form.
- Note: Kindly, refer to the first page of Notice Inviting Tender for tender type i.e. Open Tender Enquiry / Global Tender Enquiry and submit your bid accordingly.
4. Unsolicited / Conditional / Unsigned Quotations/Quotations received after the due date and time shall be summarily rejected. The Bidder should comply with the terms and conditions of the tender, failing which, their offer will be liable for rejection.
  5. The bids' failing to comply with the following clauses will be summarily rejected.
    - The Bidders' proposing to supply finished products directly/indirectly from vendors' of countries sharing the land border with India should submit a copy of registration done with DPIIT
    - If the products supplied are not from vendors of countries sharing land border with India, the Bidders' have to enclose a declaration to that effect.



## CSIR-National Aerospace Laboratories, Bengaluru-560 017, INDIA

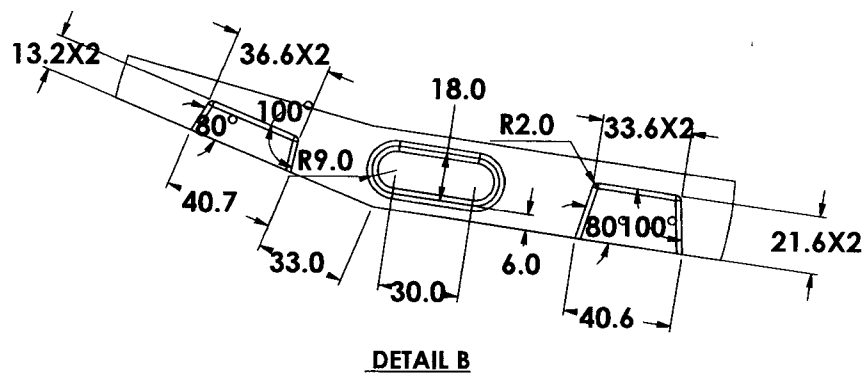
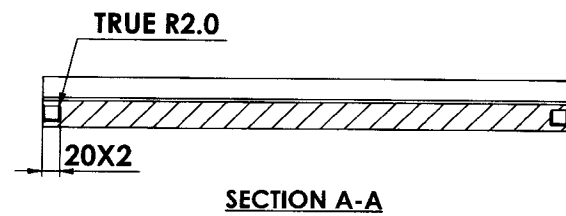
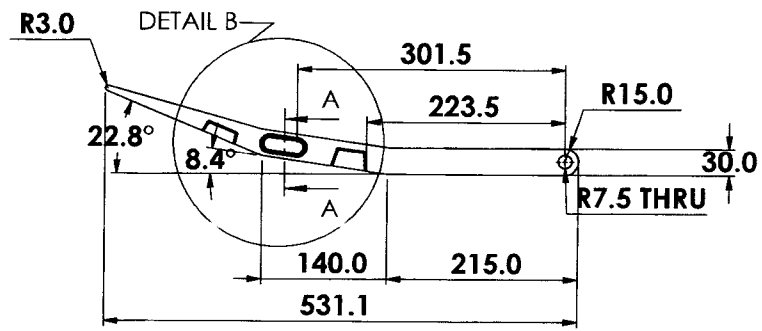
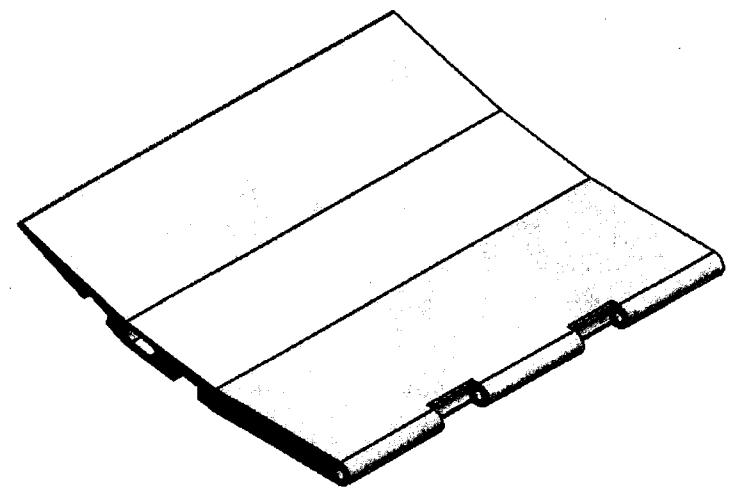
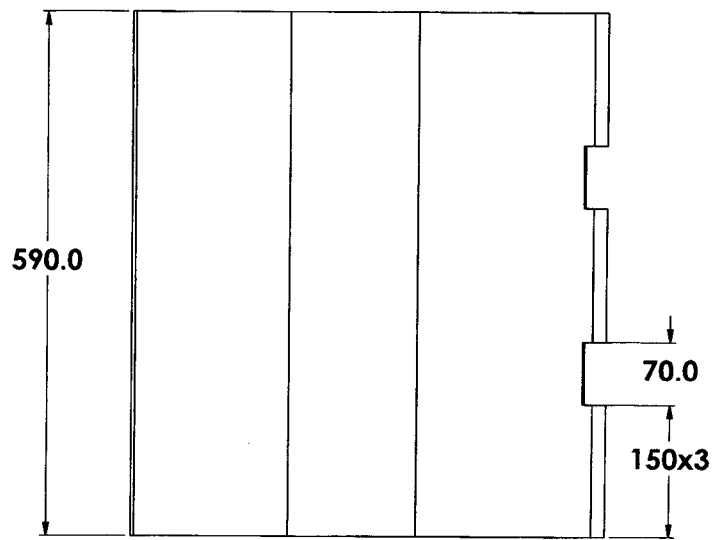
6. As per Government of India procurement policies:
- The purchaser intends to give purchase preference to local supplies (preference to Make in India) in case the cost of procurement is up to Rs.50 (fifty) lakhs.
  - The procuring entity intends to give purchase preference to products/goods manufactured by Micro, Small and Medium Enterprises.
7. Bidders' are requested to refer to the instructions regarding Procurement Policies for "Make in India", issued by Ministry of Commerce and Industry, Department of Industrial Policy and promotion dated. 28-May-2018, and 4-Jun-2020 and guidelines as and when issued.
8. Kindly, note CSIR-NAL GST No.29AAATC2716R1ZB. And, the bidders' are requested to furnish their GST No. in their invoice failing which we will *not* be able to make timely payment.
9. Printed conditions, if any, submitted along with your quotation will not be binding on us.
10. The prospective bidders' are requested to refer to the Standard Terms and Conditions available on NAL website ([www.nal.res.in](http://www.nal.res.in)) under the icon Tender-Purchase before formulating and submitting their bids'.
11. The Director, CSIR – National Aerospace Laboratories, Bengaluru, reserves the right to accept any or all the tenders either in part or in full or to split the order without assigning any reason(s) thereof.

Thanking You,

Yours faithfully,

  
Stores & Purchase Officer  
For and on behalf of CSIR-NAL

F  
E  
D  
C  
B  
A



8 7 6 5 4 3 2 1